

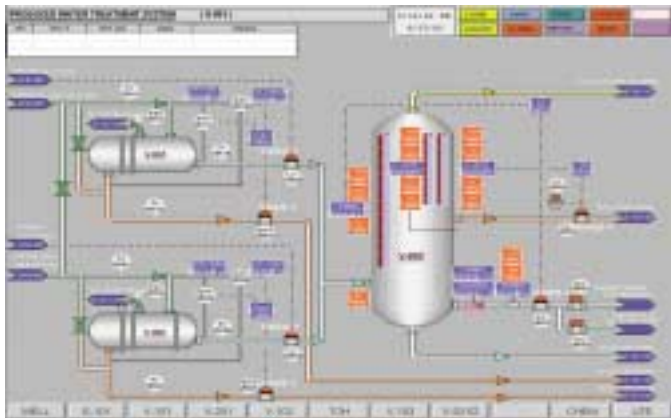
CSE has installed many control systems in many varied applications. Our expertise covers the areas of:

- Supervisory Control And Data Acquisition Systems (SCADA)
- Telemetry Systems
- Process Control Systems
- Batch Control Systems

In the area of SCADA and Telemetry Systems, CSE has built solutions encompassing programmable logic controllers (PLCs) and other third party devices to the various industrial application.

From water treatment installations to semiconductor wafer fabrication plants, CSE has designed, delivered and installed many systems around the world. In many of the telemetry applications, CSE has used one or more combinations of proven communication links such as radio, microwave, satellite links or fibre optics to obtain data from remote localities.

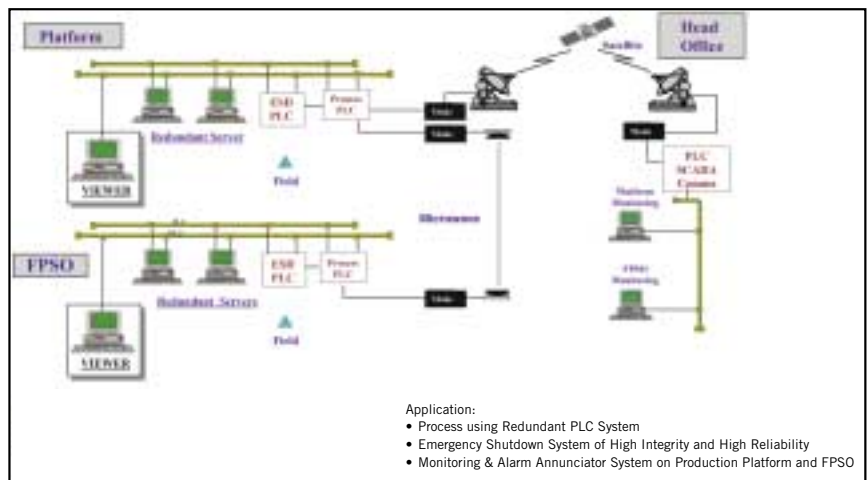
Our SCADA and Telemetry Systems are designed using industry leading hardware such as Rockwell's Allen Bradley, GE-Fanuc and Siemens PLCs. Human-machine interface software used include OpenVMS based VXL, SCOPE-X and Windows based software such as CIMPLICITY, WONDERWARE, WINCC and IFIX.



Treatment Control Display

CSE has built solutions in both the personal products and healthcare industry incorporating the SP88 compliance standard for the batching applications. This standard is stringently adopted to enable the traceability of the process, raw materials and the personnel involved in the production of the products.

CSE has also developed the capability to provide interface drivers that is not readily available in the market.



Integrated Control System Configuration

